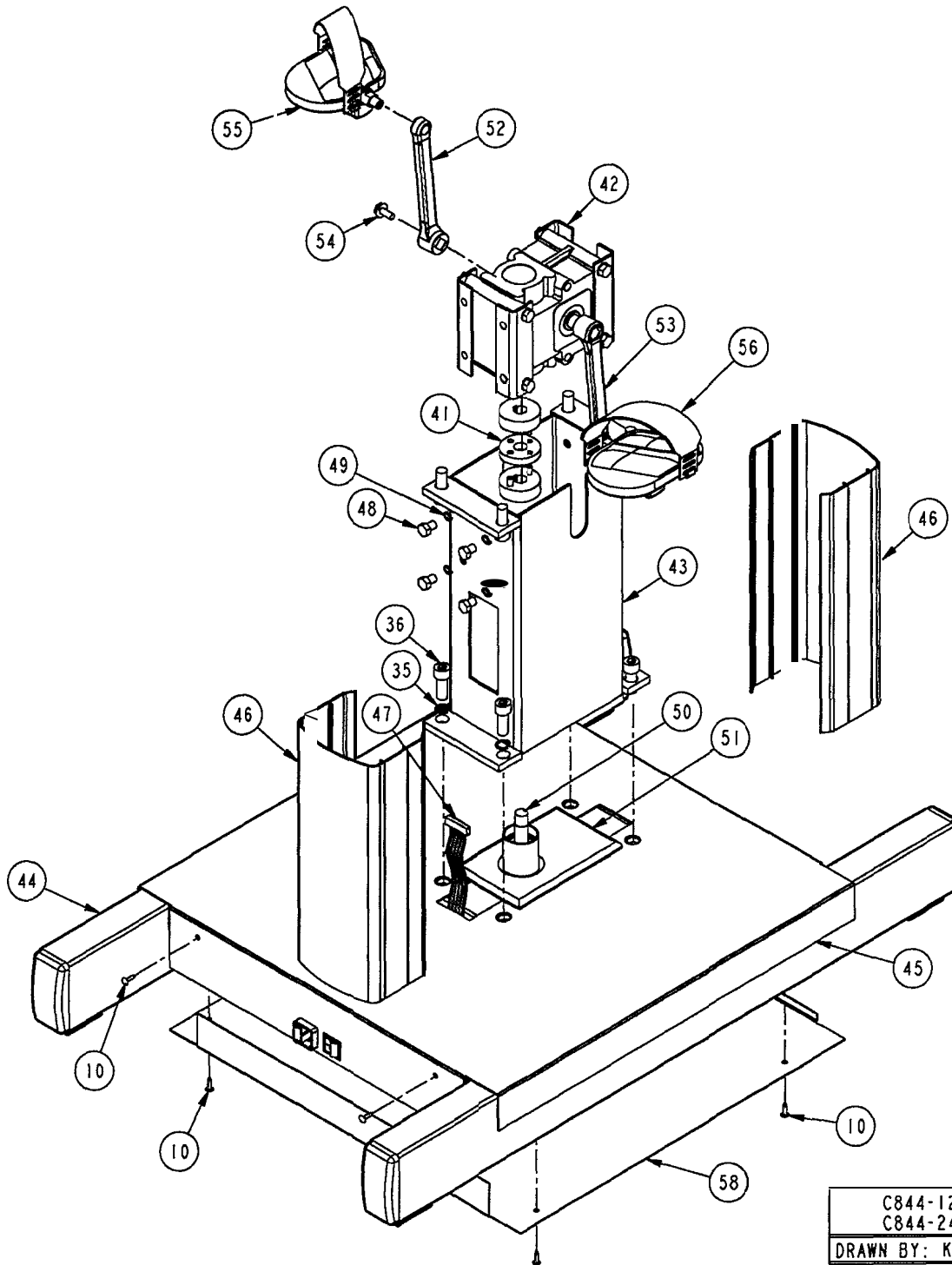
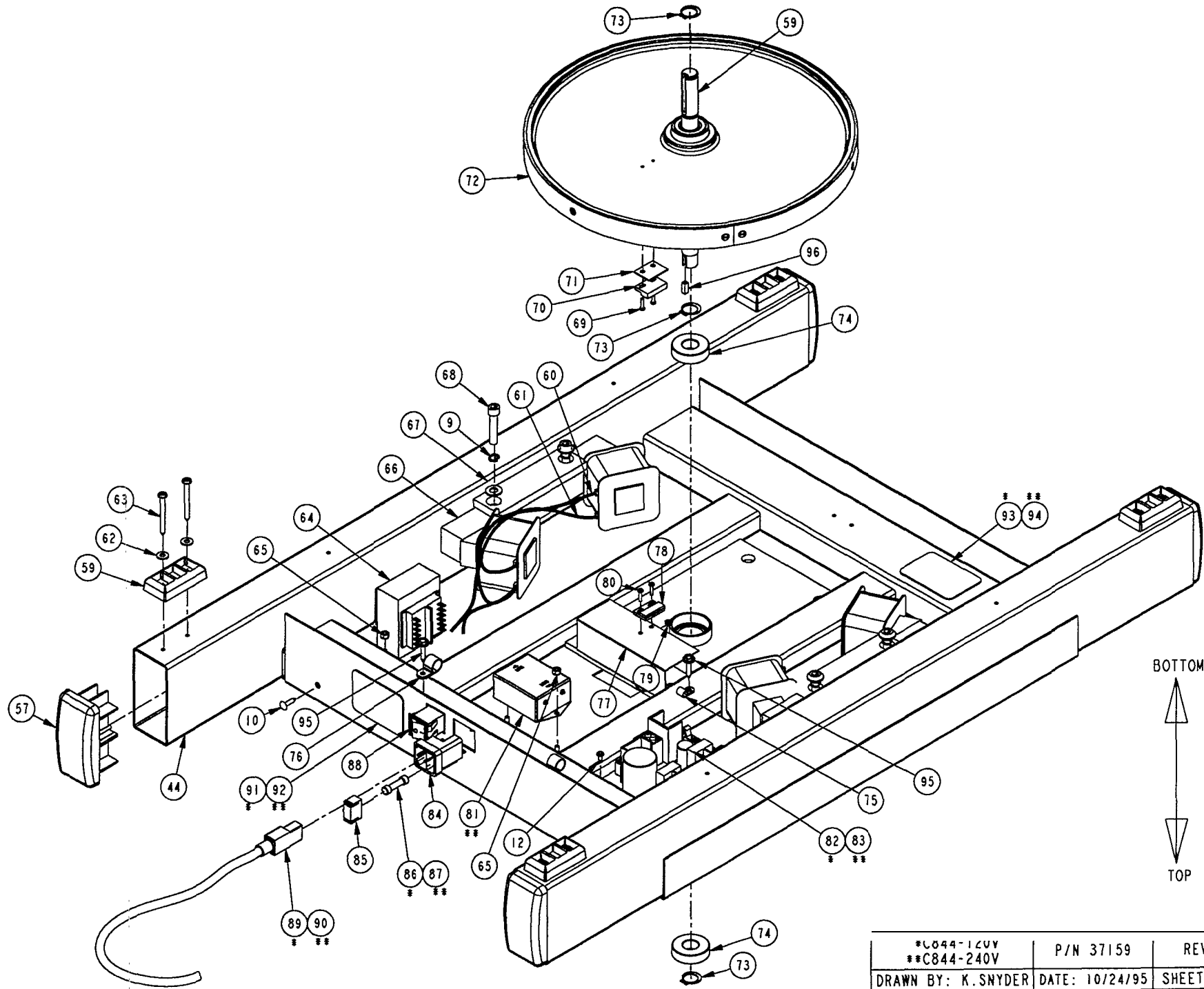


PART NO. C844 24-V | P N 3' 59 | REV: A
 DRAWN BY: E. SCHMIDT DATE: 10/24/59 SHEET 1 OF 1



C844-120V C844-240V	P/N 37159	REV: A
DRAWN BY: K.SNYDER	DATE: 10/24/95	SHEET 2 OF 3



*C099-120V **C844-240V	P/N 37159	REV: A
DRAWN BY: K.SNYDER	DATE: 10/24/95	SHEET 3 OF 3

C844 (240 VAC) (serial code 1H)

Part Number	Description	Bubble Number	Your Price
58004-102	ASSY,UPRIGHT,WELDMENT W/LABELS	1	\$234.08
37105-101	LABEL, COLUMN FRONT C844	2	\$16.24
TFKN025-075	SCREW,BTHD,1/4-20X3/4,BLK ZN	3	\$0.32
WALCN025-006	WASHER, SPLIT LOCK, 1/4 MED,	4	\$0.32
58003-101	ASSY, HANDLEBAR UPPER C844	5	\$32.64
33432-109	ASSY, RIBBON CABLE C844	7	\$32.72
TAKN031-150	SCREW,BTHD,5/16-18X1-1/2,BLK ZN	8	\$1.20
WALCN031-008	WASHER, 5/16 SPLIT LOCK, ZINC	9	\$0.32
36878-102	PLATE, DISPLAY PAINTED C844	11	\$37.20
MGCN016-025	SCREW,MCH,8-32X1/4,PANHD,PHIL,	12	\$0.32
36460-102	PCA, DISPLAY, M9.25, M9.45,	13	\$208.98
36797-101	LABEL, DISPLAY, C844 ENGLISH	16	\$28.88
36800-101	LABEL, PLACARD, ENGLISH C844	17	\$34.48
58003-102	ASSY, HANDLEBAR LOWER C844	18	\$32.88
36191-508	GRIP, HANDLE 27 C844	18.01	\$8.00
36763-102	HANDLEBAR, LOWER, PHOSPHATE	19	\$19.44
36690-101	SEAT, UPRIGHT BIKE, 8.2,C844	24	\$34.88
36187-102	LABEL, HANDLEBAR BRACKET,WHITE	26	\$0.40
37105-102	LABEL, COLUMN REAR C844	27	\$15.76
MPSN019-050	SCREW,MCH,10-32X1/2,FLTHD,PHIL	29	\$0.32
37017-101	KNOB	30	\$6.48
37022-102	PIN,PLUNGER,C844	31	\$29.44
10231-117	SPR,CPRSN,360ODX1.25LX.035DIA	33	\$2.48
36831-102	CAP, COLUMN PAINTED C844	34	\$37.84
WALNN050-013	WASHER, SPLIT LOCK 1/2	35	\$0.40
CAKN050-125	SCREW,SKHD,1/2-13X1.25,BLK ZN,LK	36	\$1.28
37107-101	LABEL, CALIBRATION C844	37	\$11.44
MGKN016-038	SCREW,MCH,8-32X3/8,PANHD,PHIL,	38	\$0.32
37053-101	SHIM, SEAT 1X10X.062 C844	39	\$3.28
36758-101	GUIDE, SEAT POST C844	40	\$5.84
11161-101	COUPLER, SHAFT C844	41	\$86.64
36778-101	ASSY, GEARBOX C844	42	\$383.28
58007-104	ASSY, BASE W/LABELS, C844-240E	44	\$158.88
HCCN038-050	SCREW,HEX,GR 5,3/8-16X1/2,ZN	48	\$0.32
WALCN038-009	WASHER, 3/8 SPLIT LOCK, ZINC	49	\$0.32
37035-101	PAD, PEDESTAL C844	51	\$2.32
HTKN008-018	BOLT,SHIMANO CRANK,M8X18MM	54	\$2.72
33433-101	PEDAL, RIGHT,8.2,C844,(38604-102)	55	\$10.00
33433-102	PEDAL, LEFT, 8.2,C844,(38604-101)	56	\$10.00
34063-101	ENDCAP	57	\$8.40
31074-101	FOOT, MOLDED PLASTIC C760,C844	59	\$8.45
36953-101	ASSY, MAGNET CABLE C844	61	\$21.28
WACN019-005	WASHER, FLT, #10X.500X.049,ZN	62	\$0.32
PBCN019-200	SCREW,S/T,#10X2,PANHD,PHIL,ZN,	63	\$0.32
KGCN016-013	LOCKNUT, STARWASHER 8-32, HEX	65	\$0.32
36765-102	ASSY,MAGNET,200 DEG C	66	\$106.64
WCCN031-008	WASHER, FLT, 5/16X.875X.083	67	\$0.32
10003-106	SCREW,SKHD,5/16-18X1.50,BLK ZN,LK	68	\$0.48
PACN011-050	SCREW,TH-CUT,4-40X1/2,PANHD,	69	\$0.32
11208-101	MAGNET,ACTUATOR,HAMLIN 57145	70	\$17.76
30151-101	SPACER, MAGNET	71	\$1.04
AAHN062-005	RING, RETAINER EXTERNAL .616	73	\$0.80
10158-106	BEARING, BALL, 6203-2RSC4	74	\$8.56
11104-101	CLAMP, CABLE, PLASTIC	75	\$0.32
11054-101	CLAMP,CABLE,.50 MAX BUNDLE	76	\$0.48
KDCN011-008	LOCKNUT, FULL, 4-40,ZINC PLT	79	\$0.32
MGKN011-050	SCREW,MCH,4-40X1/2,PANHD,PHIL,	80	\$0.32
33507-112	PCA LOWER 240V	82	\$161.12

10716-101	FUSE DRAWER,5X20MM	85	\$6.64
10719-121	FUSE,SLOW,4A,250V,5X20MM	86	\$1.52
10714-101	SWITCH,ROCKER,DPST,PANEL MT	88	\$20.08
10392-102	POWER CORD,250VAC,10A,2.5M	89	\$28.00
36944-102	LABEL, REGULATORY 240V C844	91	\$2.40
PHCN019-075	SCREW,S/T,#10X3/4,WSHRHXHD,ZN,	95	\$0.32
PKCN019-075	SCREW,S/T,#10X.75,WSHHXHD,ZN	95	\$0.32
10220-106	KEY, SQUARE, 3/16 X .50 LONG	96	\$0.80
DHCN019-050	SCREW, PAN HEAD,CONE WASHER	98	\$0.40
37436-101	LABEL, CHASIS NEUTRAL	99	\$0.32
37531-101	BRACKET, COVER	100	\$11.92
WAMCN019-002	WASHER, LOCK, EXT TOOTH, #10	101	\$0.32
36776-102	OWNERS MANUAL, C840	202	\$32.00
37138-101	SHIPPER, TRAY TOP C844	204	\$43.20
37139-101	SHIPPER, TRAY BOTTOM C844	205	\$42.08
37140-101	SHIPPER, VERTICAL TRAY C844	206	\$35.92
37141-101	SHIPPER, HORIZONTAL TRAY C844	207	\$37.92
37142-101	SHIPPER, FOAM CORNER C844	208	\$17.52
58008-101	ASSY, SHIPPER, C844	209	\$153.68